



V7-2A17D8-207



Actual product appearance may vary.

V7 Series Miniature Basic Switch, Single Pole Double Throw Circuitry, 5 A at 250 Vac, Roller Lever Actuator, 0,42 N [1.5 oz] Maximum Operating Force, Silver Contacts, Quick Connect Termination

V7 Series Features

- World-wide package size acceptance
- Current rating ranges from 0.1 A to 25 A
- Wiping contact action
- Temperature range to 177 °C [350 °F]
- Long mechanical life
- Elongated mounting holes for easier, more accurate mounting
- UL/CSA recognized, ENEC (European) approval available
- Choice of actuation, termination and operating characteristics

Potential Applications

- Appliances
- Vending machines
- Timing devices
- Office equipment
- Computer/business equipment
- Test instruments
- Medical/dental equipment
- Communications equipment
- HVAC equipment
- Manually operated devices
- Valves
- Gaming equipment
- Pressure switches

Description

MICRO SWITCH™ V5 and V7 Series basic switches are used for simple or precision on/off, end of limit, presence/absence, pressure, temperature and manual operator interface application needs.

Product Specifications	
Switch Type	MICRO SWITCH™ Miniature 15,9 mm H x 10,2 mm W x 28,8 mm L [0.63 in H x 0.4 in W x 1.14 in L]
Sealed	No
Ampere Rating	5 A
Circuitry	Single Pole Double Throw (SPDT)
Actuator	Roller Lever
Termination	Quick Connect
Operating Temperature Range	-40 °C to 82 °C [-40 °F to 180 °F]
Voltage	250 Vac
Approvals	CSA,UL,ENEC
Actuator Length	34,0 mm [1.34 in]
Contact Type	Silver

Operating Force (O.F.)	0,42 N [1.5 oz] max.
Release Force (R.F.)	0,03 N [0.10 oz] min.
Pretravel (P.T.)	2.92 mm [0.115 in] min.
Overtravel (O.T.)	1,52 mm [0.060 in] min.
Differential Travel (D.T.)	0,64 mm [0.025] max.
Operating Position (O.P.)	20,6 ± 1,27 mm [0.810 ± 0.050 in]
Housing Material	PCT PolyesterThermoplastic
High Temperature	85 °C [185 °F]
UL File #	E12252
CSA File #	LR41370
Agency Approvals and Standards	1054
Mounting Centers	22,2 mm [0.88 in]
Maximum Tightening Torque	0,56 N m [5.0 in lb]
Weight	8 g [0.3 oz]
Package Height	16 mm [0.63 in]
Package Width	10,2 mm [0.40 in]
Package Length	27,7 mm [1.09 in]
Availability	Global
UNSPSC Code	30211905
UNSPSC Commodity	30211905 Snap switches
Series Name	V7

MICRO SWITCH
a Honeywell Division

FED. MFG. CODE 91 929

SWITCH-BASIC

CATALOG LISTING

V7-2A17D8-207

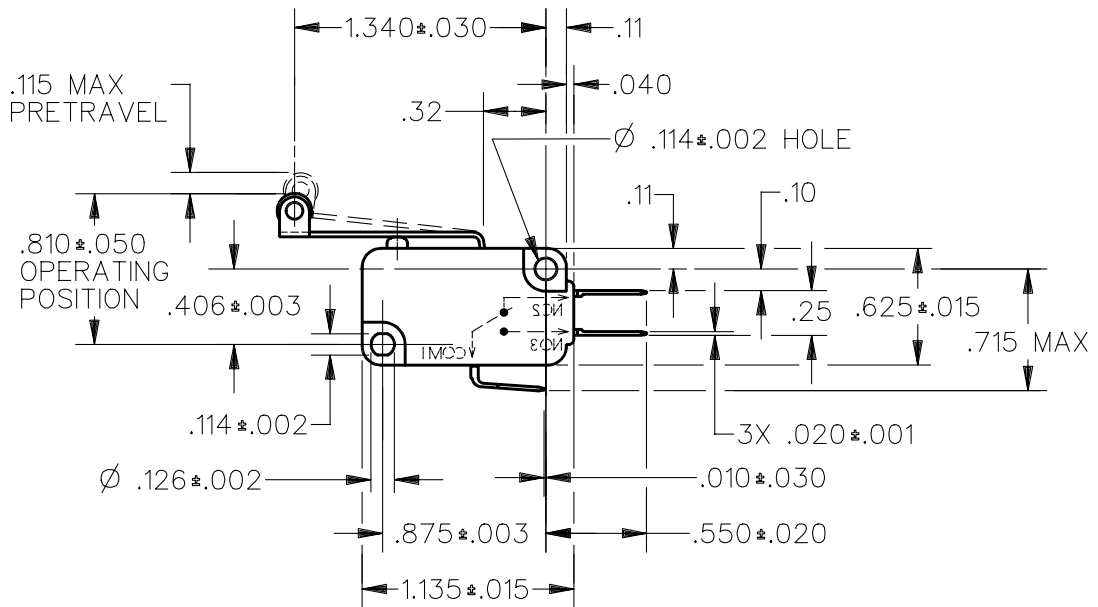
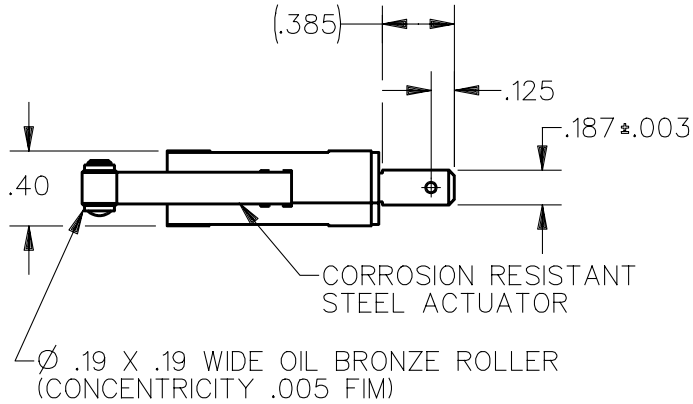
CW-B0216

CATALOG LISTING
M
 V7-2A17D8-207
 ISSUE 2

REVISIONS
 A CO 76420
 DCS 29 NOV 93
 CHECK
 12 JUN 91
 DAW

DDM/CAD
 DRAWN
 WJC 6 JUN 91
 CHECK
 12 JUN 91
 DAW

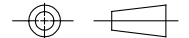
REPLACES
 RELEASE NO. PR-19239



ANSI Y14.5M-1982 APPLIES

THIS DRAWING COVERS A PROPRIETARY ITEM AND IS THE PROPERTY OF MICRO SWITCH, A DIVISION OF HONEYWELL. THIS DRAWING IS NOT TO BE COPIED OR USED WITHOUT THE APPROVAL OF MICRO SWITCH.

THIRD ANGLE PROJECTION



CHARACTERISTICS	ELECTRICAL DATA	SCALE FULL	DO NOT SCALE PRINT
OPERATING FORCE --- 43 GRAMS MAX	CONTACT ARRANGEMENT S P D T	UNLESS OTHERWISE SPECIFIED TOLERANCES ARE ONE PLACE (.0) ± .030 TWO PLACE (.00) ± .015 THREE PLACE (.000) ± .005 ANGLES ± WEIGHT	
RELEASE FORCE --- 3 GRAMS MIN	L162 5A 125, 250, 277 VAC		
DIFFERENTIAL TRAVEL --- .025 MAX	1/10HP 250 VAC		
OVERTRAVEL --- .060 MIN			
RELEASE TRAVEL --- .016 MIN			

